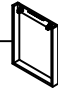








# Urban Loop Frame - Dining & Bar Height

## Assembly Instructions

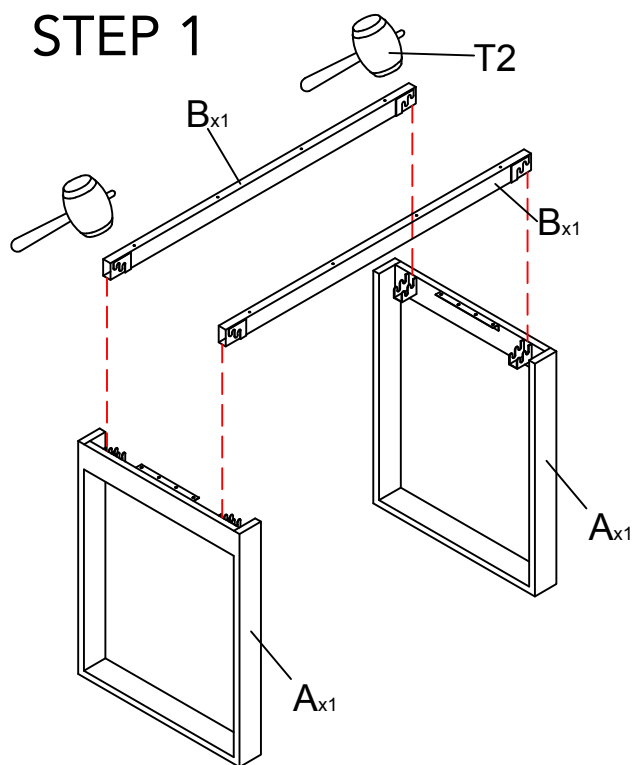


215-289-5411

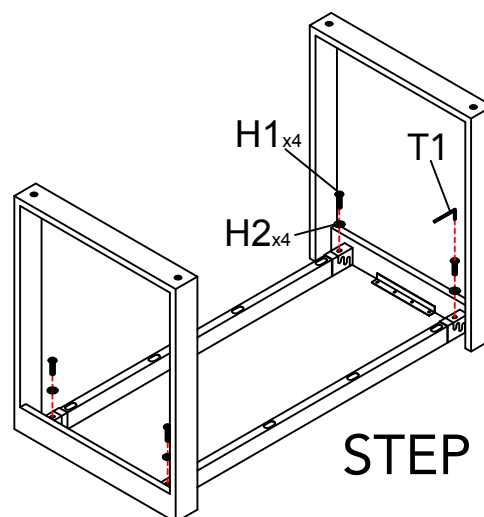
Parts		Hardware		Required Assembly Tools	
A	2 Side Frame 	H1	4 Large Flat Head Allen Screw 	T1	 Allen Wrench (Included)
B	2 Upper Brace 	H2	4 Washer 	T2	 Rubber Hammer
		H3	4 Adjustable Glide 		

## TWO ADULTS REQUIRED FOR ASSEMBLY

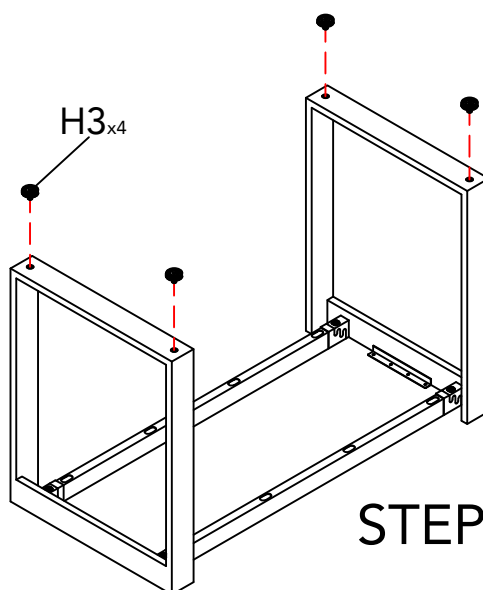
### STEP 1



WORK ON A CLEAN SMOOTH SURFACE



### STEP 2



### STEP 3