

Atlas A-Frame

Assembly Instructions

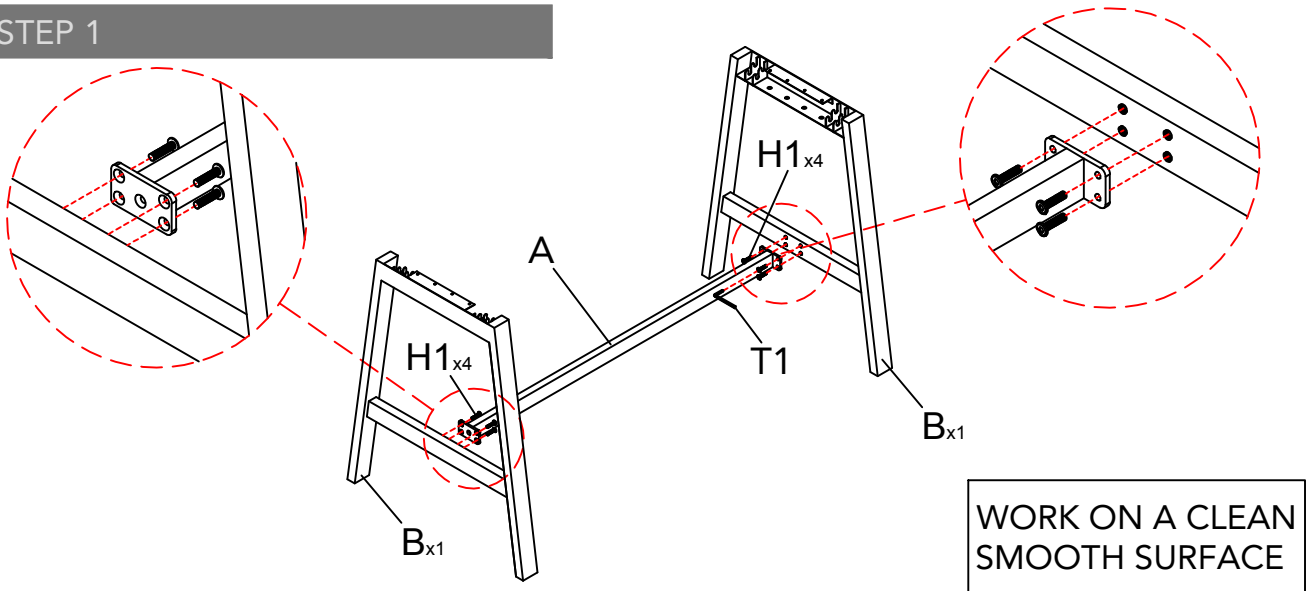


215-289-5411

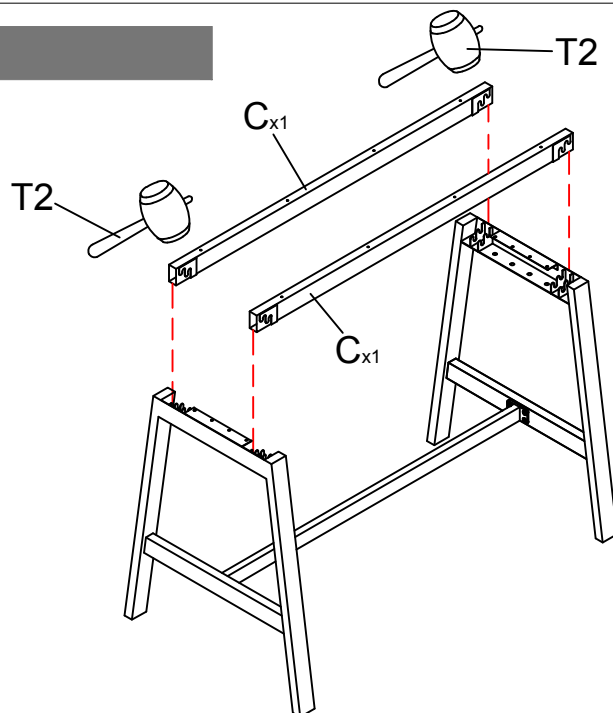
Parts			Hardware		Required Assembly Tools	
A	1	Lower Brace	H1	8 Large Flat Head Allen Screw	T1	Allen Wrench (Included)
B	2	Side Frame	H2	4 Adjustable Glide	T2	Rubber Hammer
C	2	Upper Brace				

TWO ADULTS REQUIRED FOR ASSEMBLY

STEP 1



STEP 2



STEP 3

