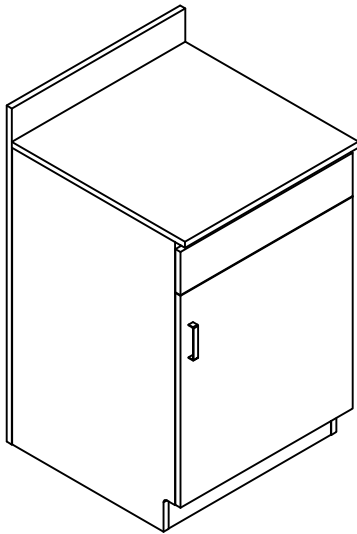


Waitress Station

Assembly Instructions

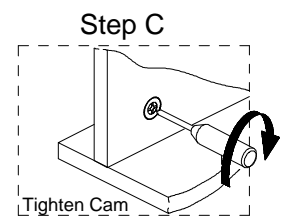
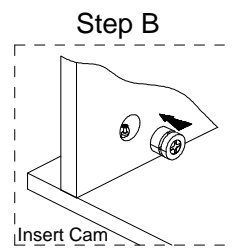
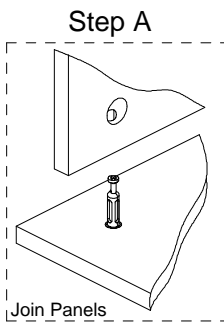
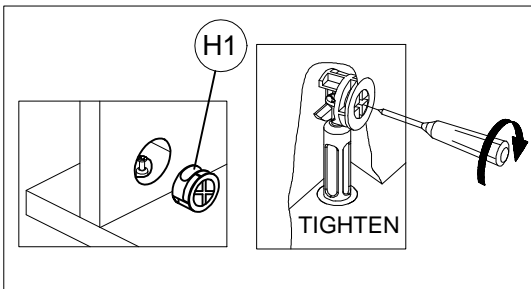


215-289-5411

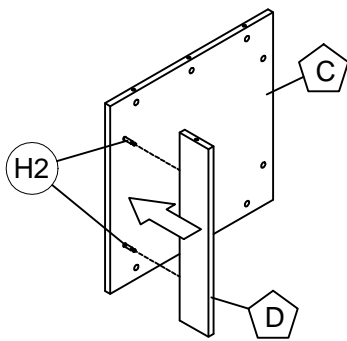


Contents					
Ref.	Qty.	Description	Ref.	Qty.	Description
A	1	Top Panel	H1	44	Cam Lock
B1	1	Left Side Panel	H2	44	Cam Post
B2	1	Right Side Panel	H3	20	Wood Screw
C	1	Bottom Panel	H4	2	Concealed Hinge
D	1	Toe Kick Panel	H5	4	Adjustable Pin
E	1	Back Panel	H6	1	Left Drawer Slide
F	1	Shelf	H7	1	Right Drawer Slide
G	1	Door	H8	1	Left Drawer Track
1-4	5	Drawer Panel	H9	1	Right Drawer Track
H10	1	Handle			
H11	2	Handle Screw			

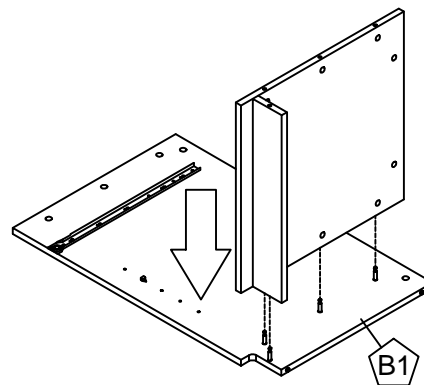
CAM LOCKING DETAIL & SEQUENCE



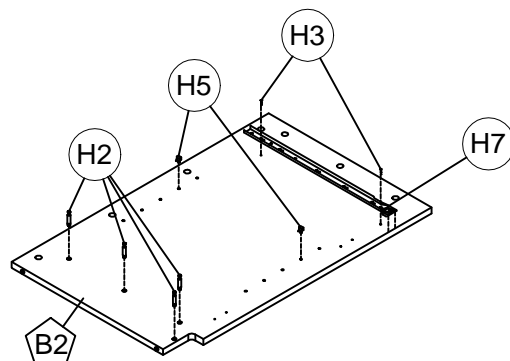
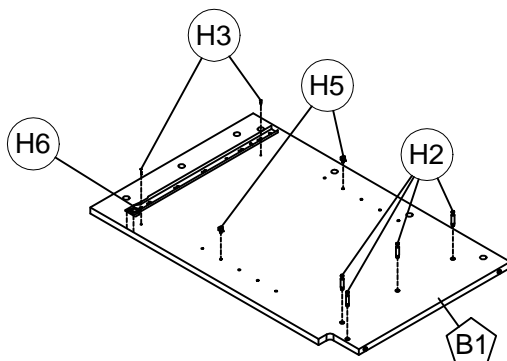
1

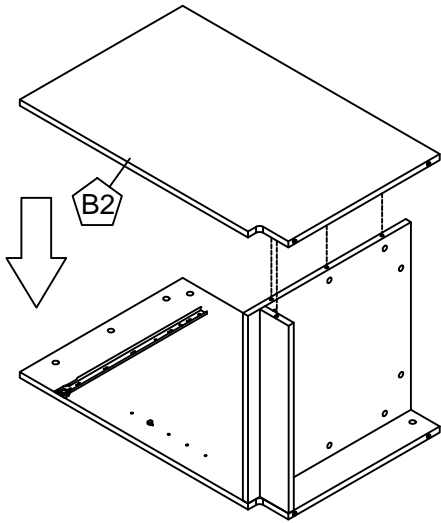
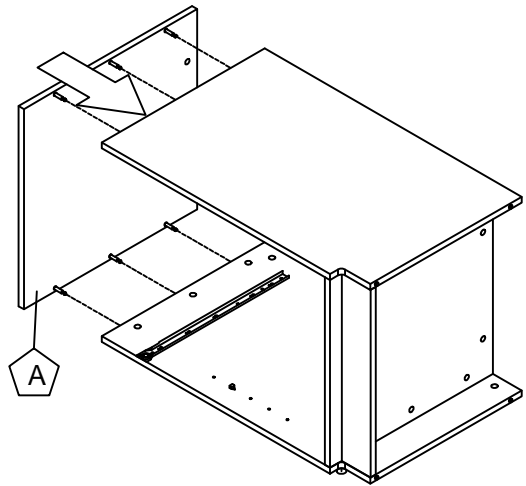
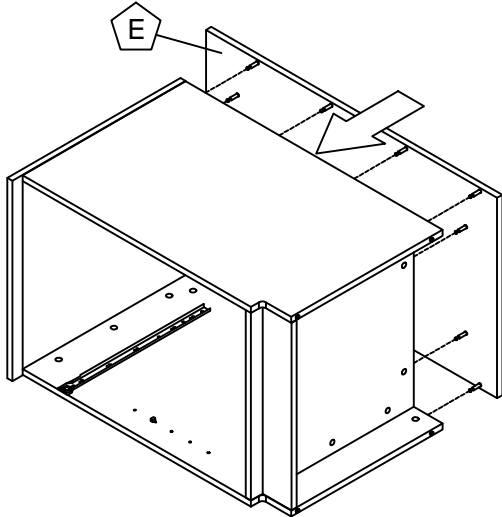
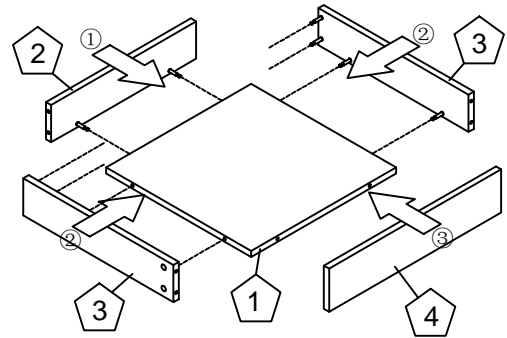
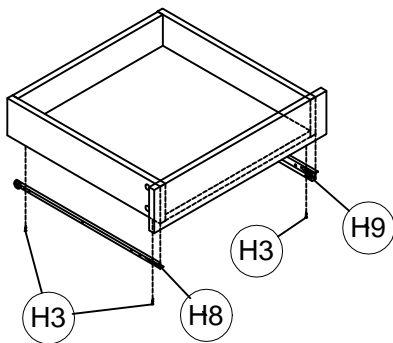
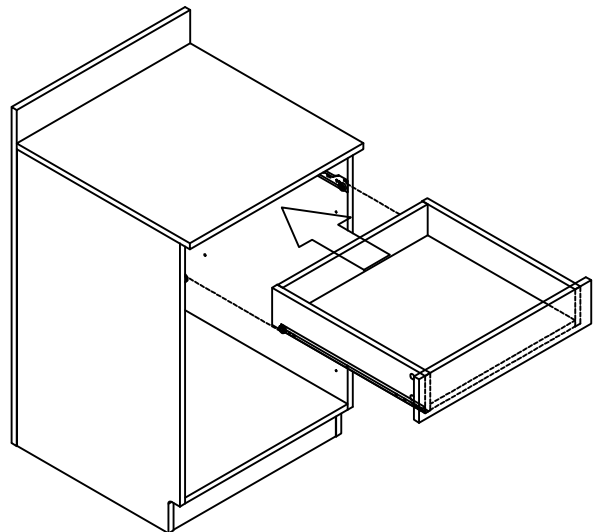


3

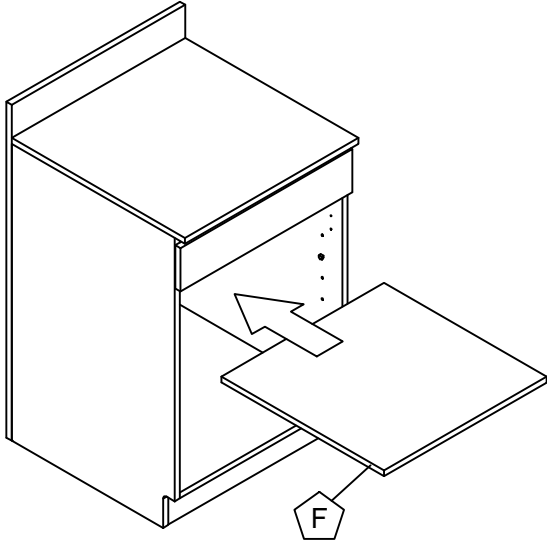


2

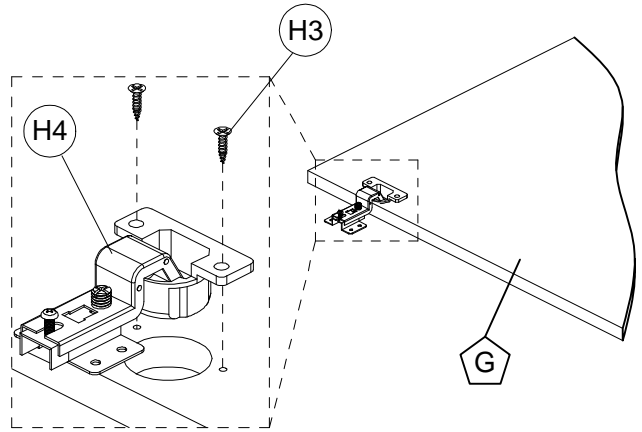


4**5****6****7****8****9**

10



11



12

