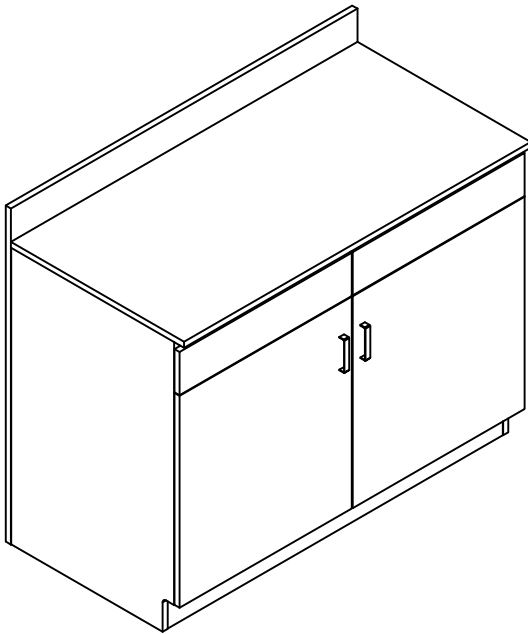




Waitress Station

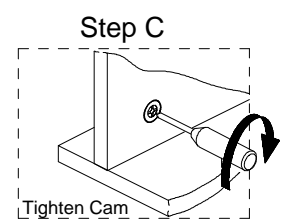
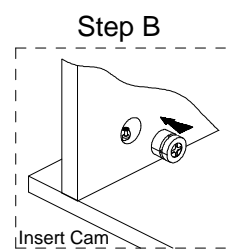
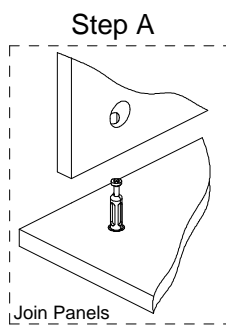
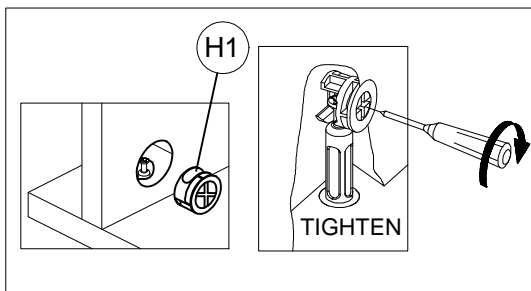
Assembly Instructions

215-289-5411

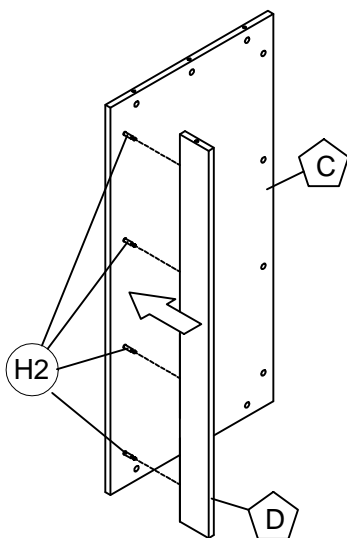


Contents					
Ref.	Qty.	Description	Ref.	Qty.	Description
A	1	Top Panel	H1	74	Cam Lock
B1	1	Left Side Panel	H2	74	Cam Post
B	1	Middle Side Panel	H3	40	Wood Screw
B2	1	Right Side Panel	H4	4	Concealed Hinge
C	1	Bottom Panel	H5	8	Adjustable Pin
D	1	Toe Kick Panel	H6	2	Left Drawer Slide
E	1	Back Panel	H7	2	Right Drawer Slide
F	2	Shelf	H8	2	Left Drawer Track
G	2	Door	H9	2	Right Drawer Track
1-4	10	Drawer Panel			
H10	2	Handle			
H11	4	Handle Screw			

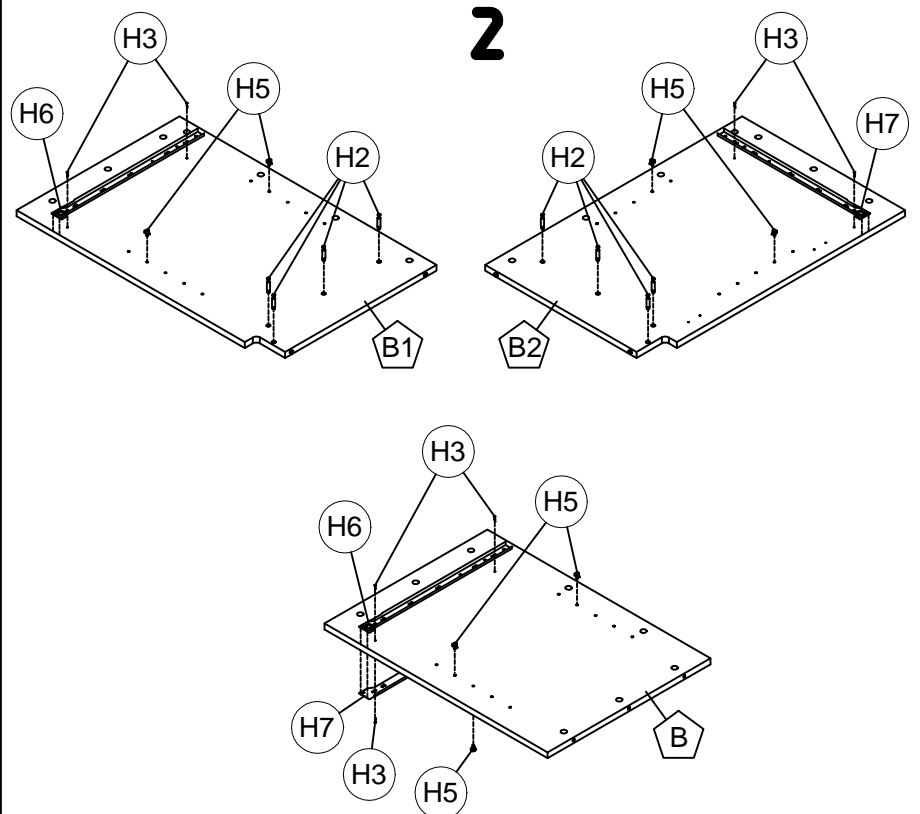
CAM LOCKING DETAIL & SEQUENCE

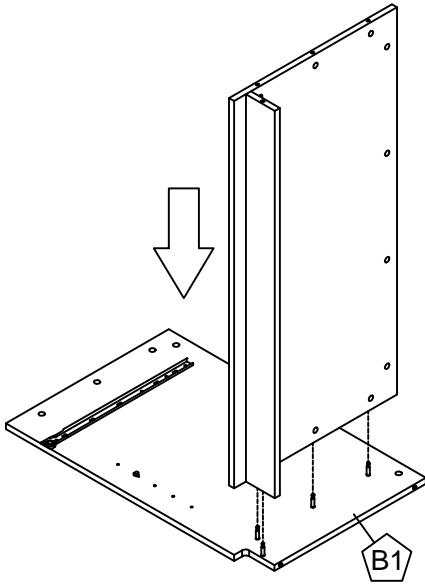
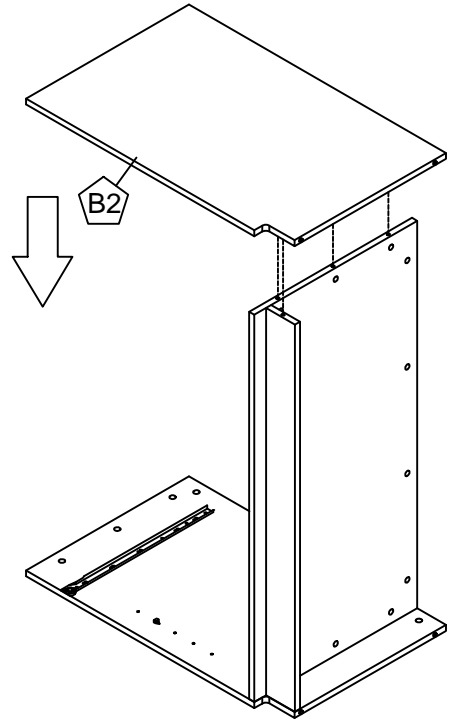
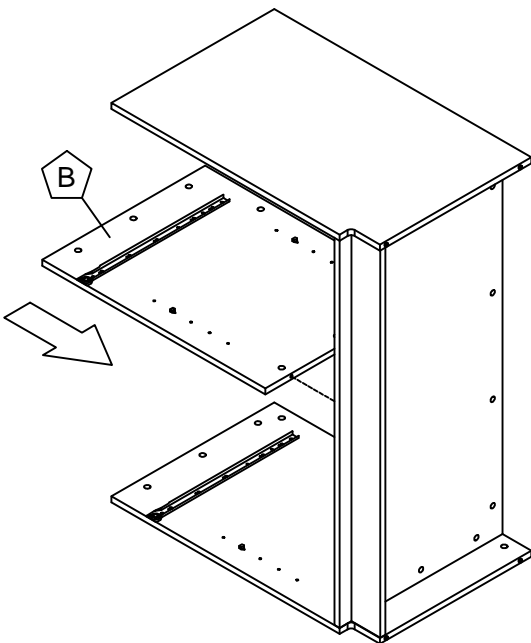
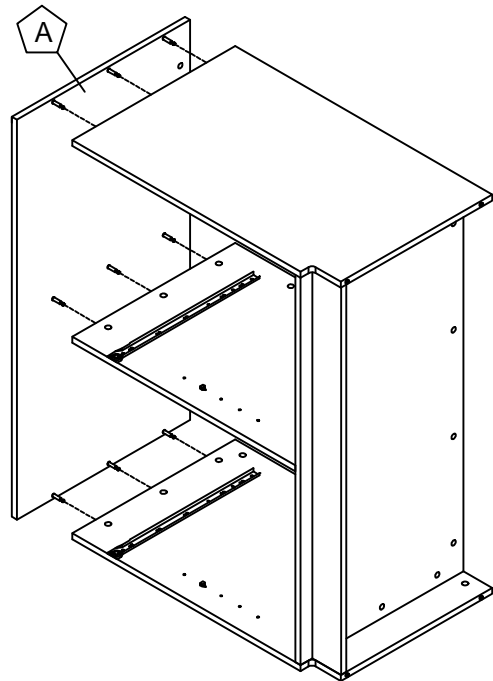


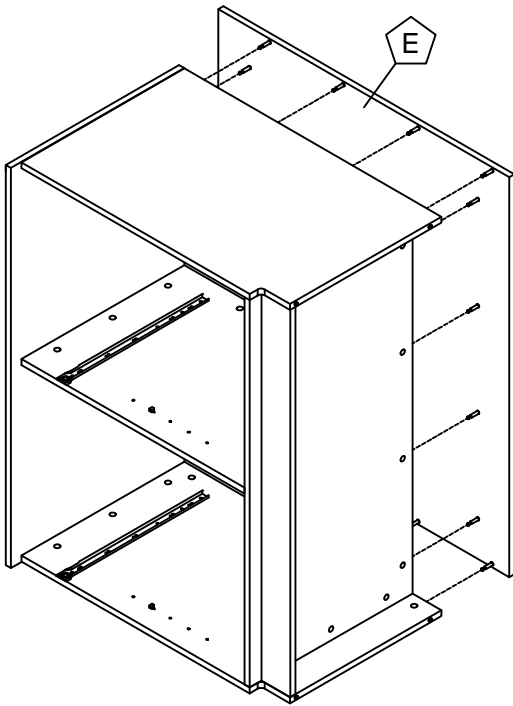
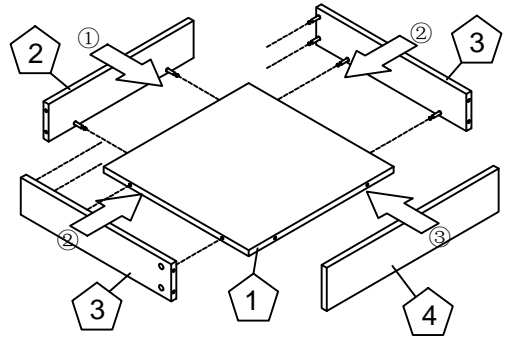
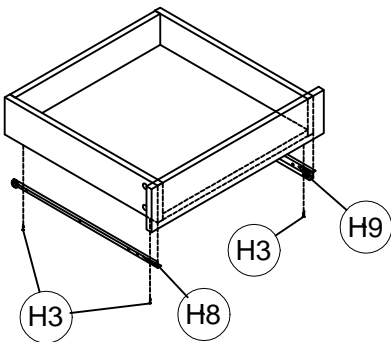
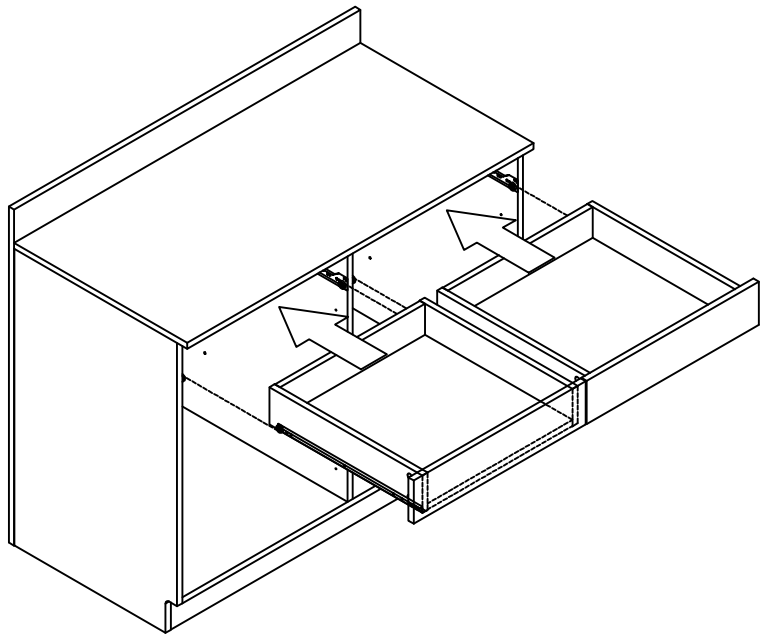
1



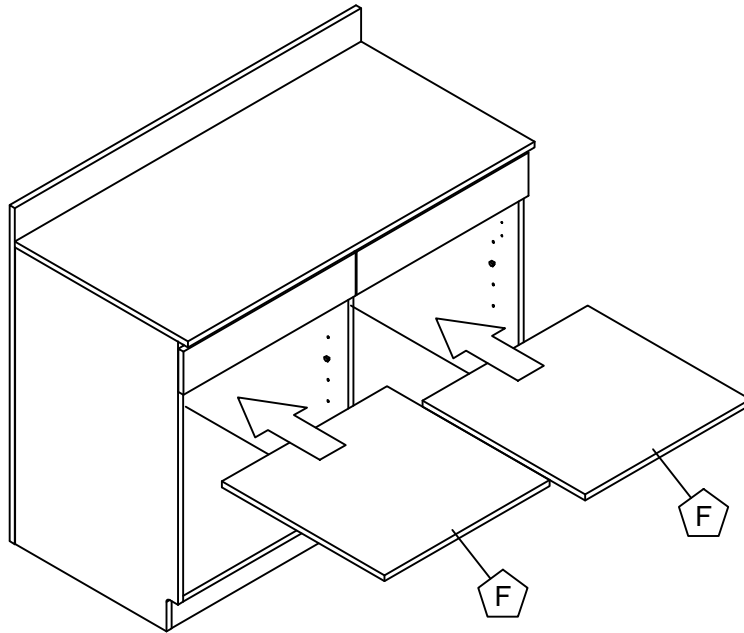
2



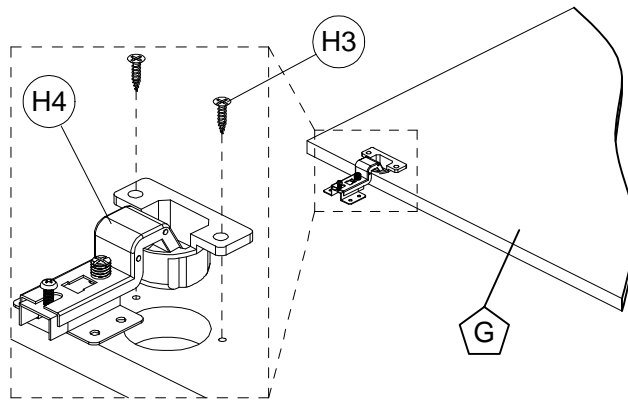
3**4****5****6**

7**8****9****10**

11



12



13

