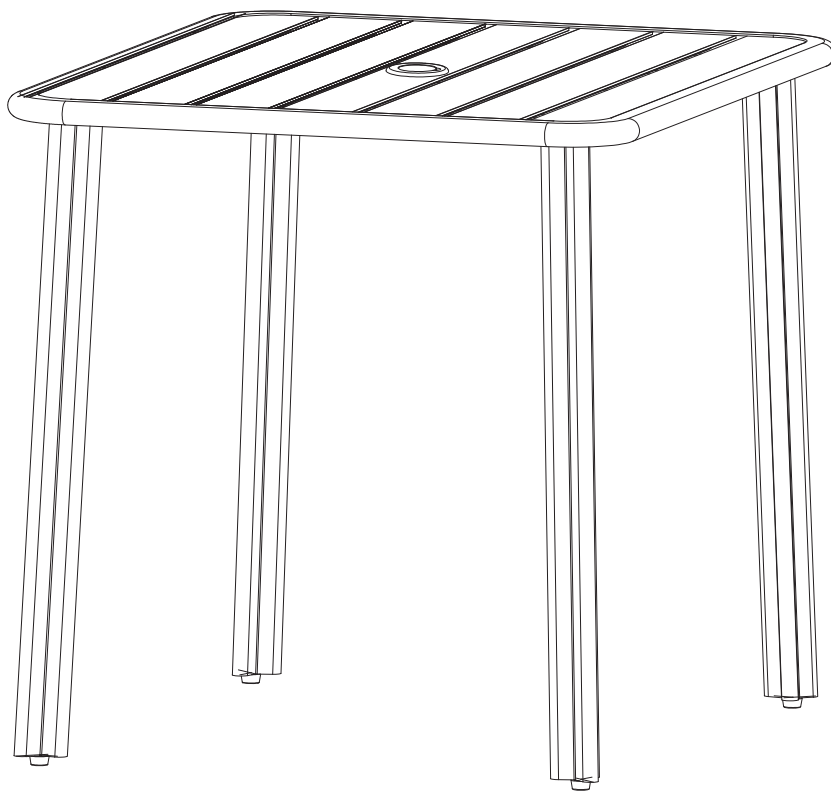


ASSEMBLY INSTRUCTION


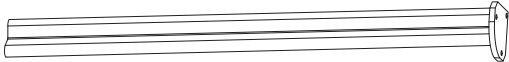
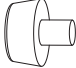


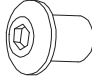

VISTA 4-LEG TABLE 32x32 DVV3232ERU



PARTS LIST

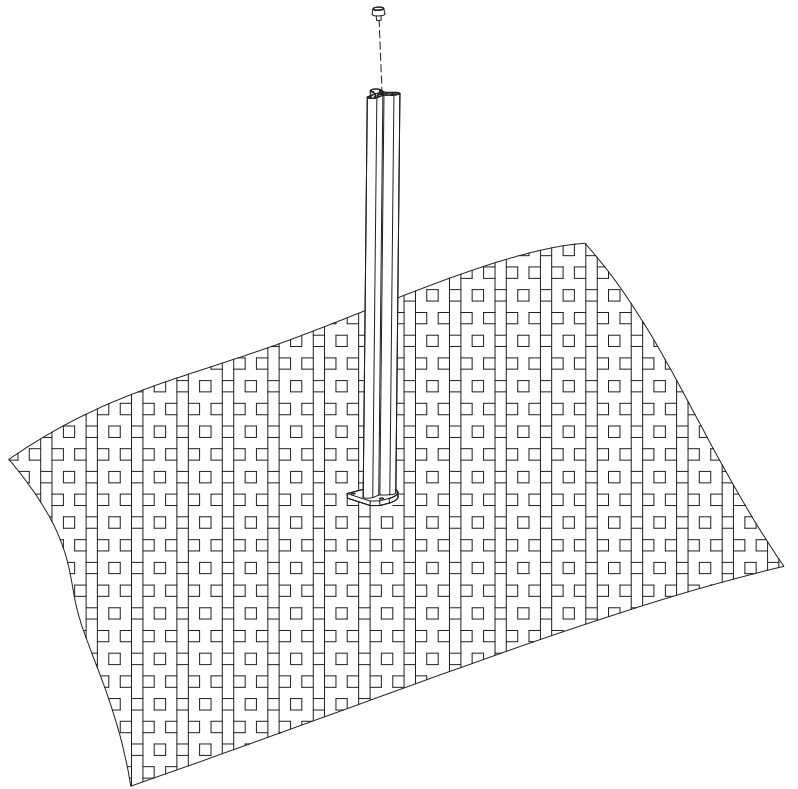
WARNING:

Please assemble table on something soft.

1. Table top		x 1
2. Leg		x 4
3. Foot pads		x 4
4. Plastic ring		x 1
5. Plastic ring cap		x 1
6. M6*16 Socket cap screw		x 12
7. 4MM Hex wrench		x 1

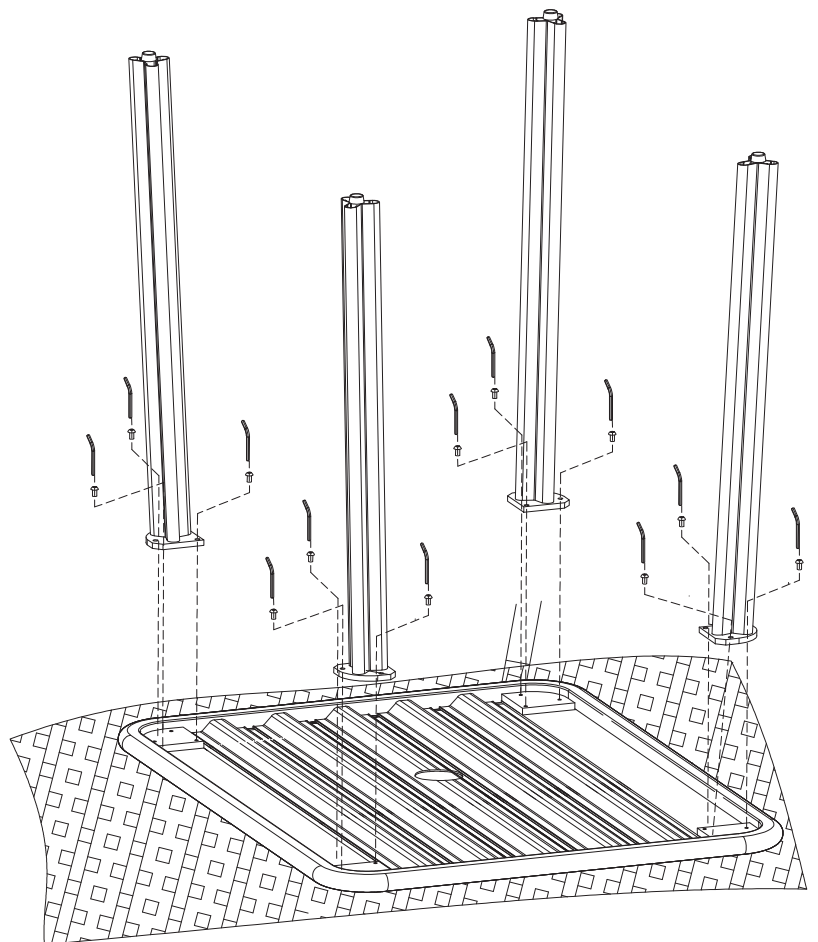
STEP 1

- 1. Leg x 1
- 2. Foot pad x 1



STEP 2

- 1. Table top x 1
- 2. M6*16 Socket cap screws x 12
- 3. 4MM Screwdriver x 1



STEP 3

- 1. Plastic ring x1
- 2. Plastic ring cap x1

Adjust the food pads if the floor is not flat and or horizontal.

Take out the plastic ring cap when mounting umbrella.

