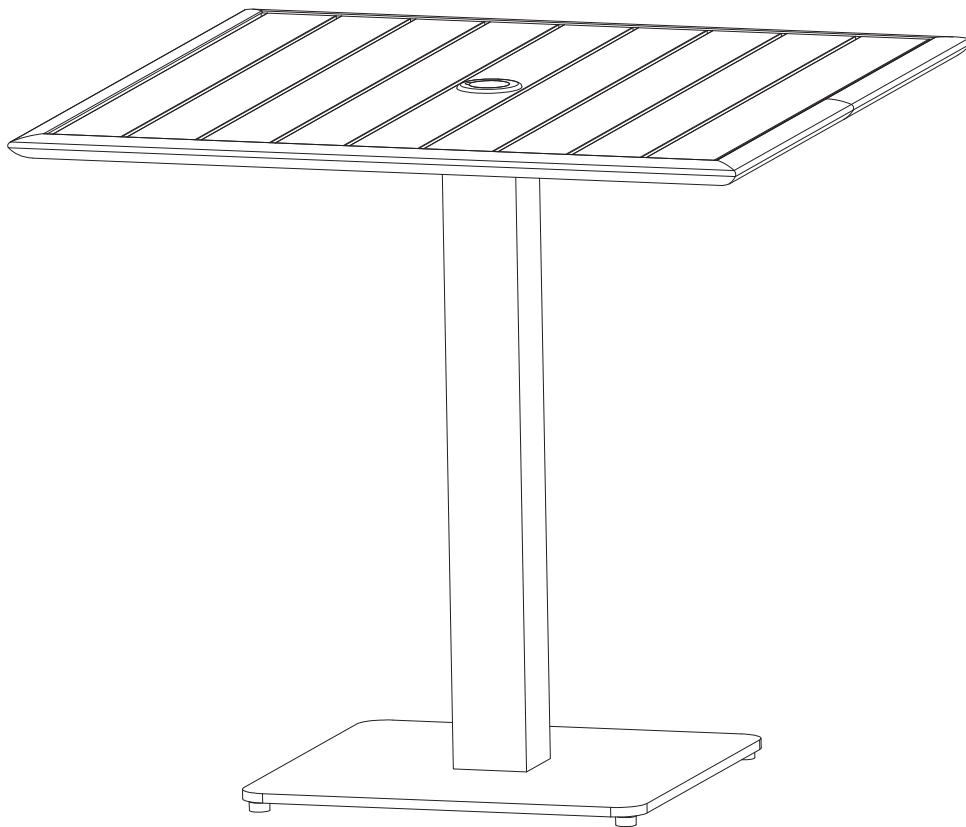


ASSEMBLY INSTRUCTION

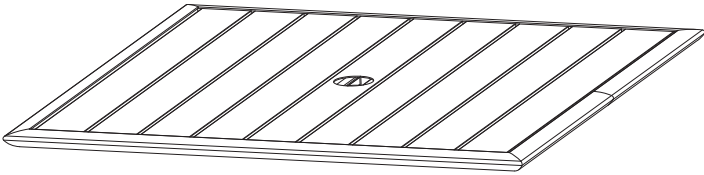
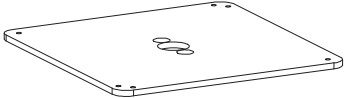

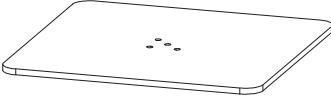
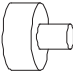
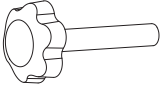


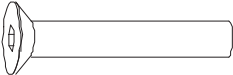
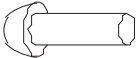
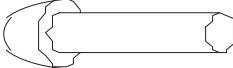


SOUTH BEACH TABLE 36x36 DVS3636TSU



PARTS LIST

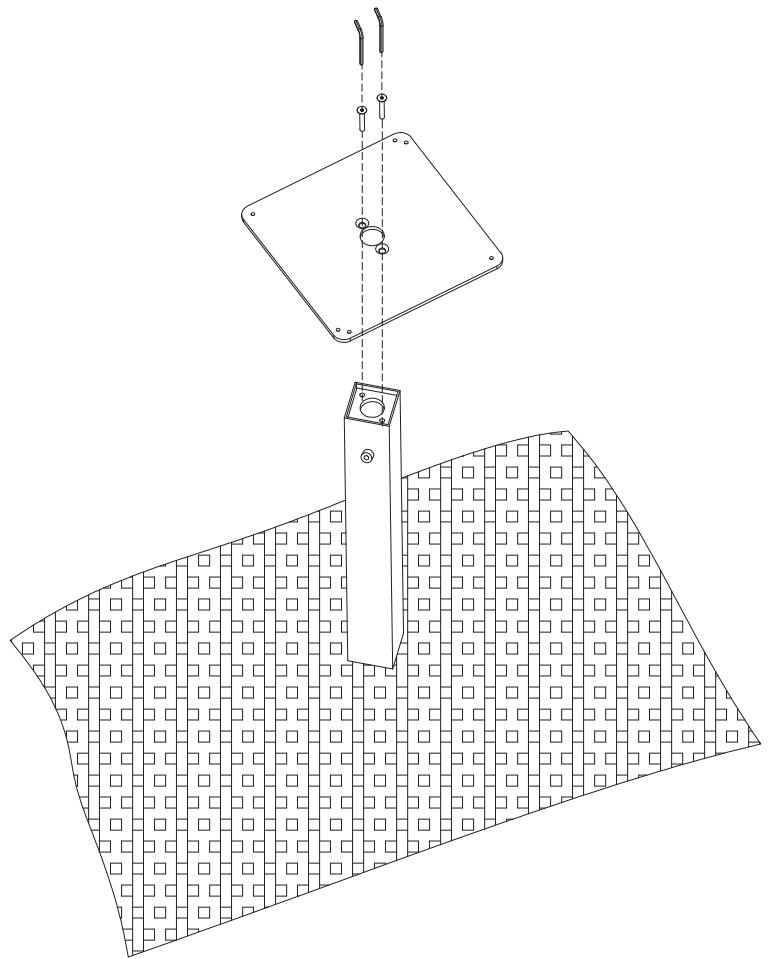
WARNING:

Please assemble table on something soft.

1. Table top		x 1
2. Leg top plate		x 1
3. Leg		x 1
4. Leg bottom plate		x 1
5. Foot pads		x 4
6. Setscrew		x 1
7. Plastic ring		x 1
8. Plastic ring cap		x 1
9. M10*30 Socket cap screws		x 2
10. M6*20 Hexagon socket head screws		x 6
11. M10*65 Hexagon socket head screws		x 2
12. 6MM Hex wrench		x 1
13. 4MM Hex wrench		x 1

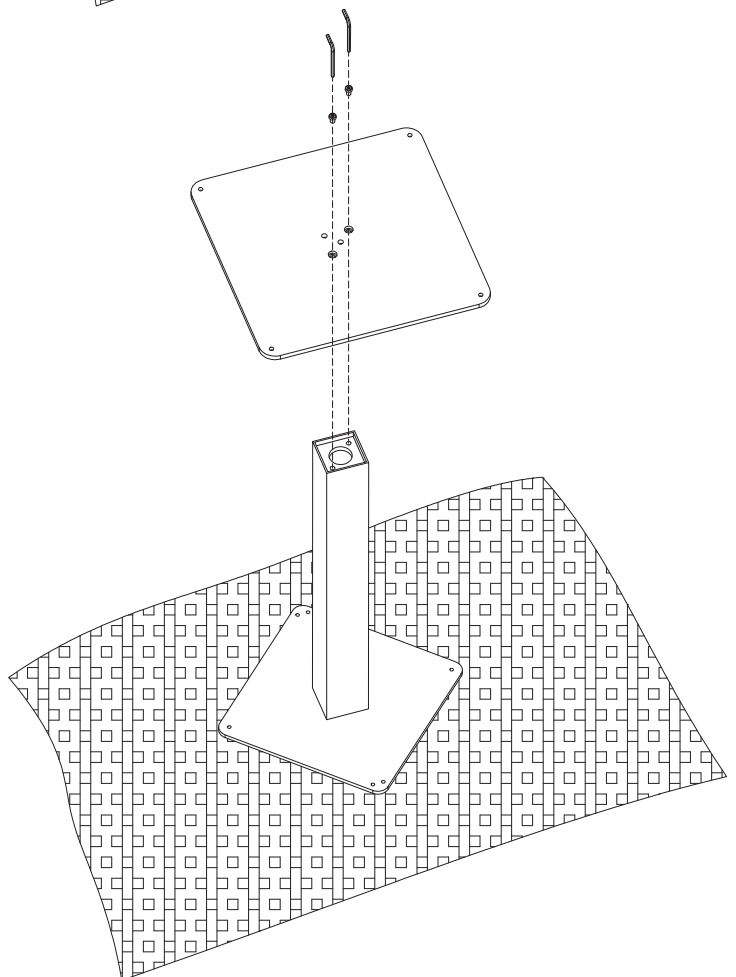
STEP 1

- 1. Leg top plate x 1
- 2. Leg x 1
- 3. M10*30 Socket cap screws x 2
- 4. 6MM Screwdriver x 1



STEP 2

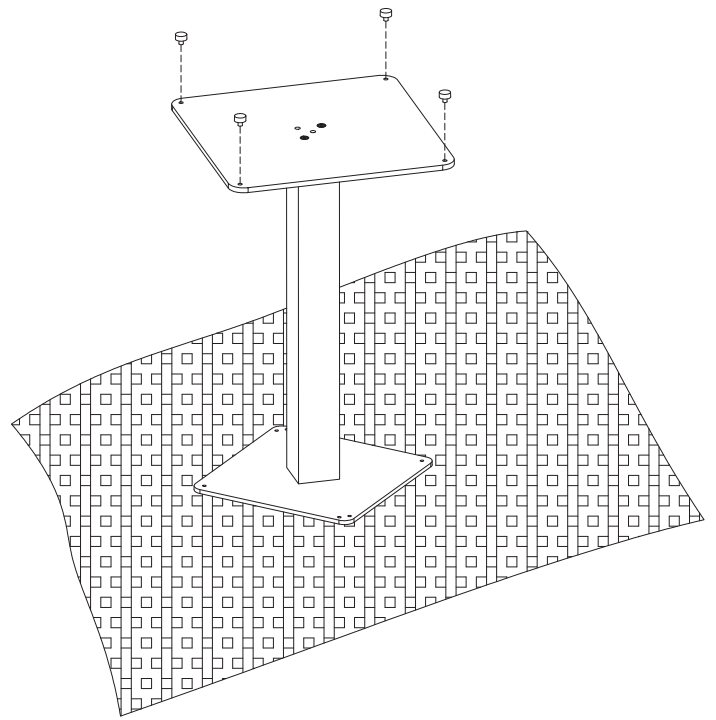
- 1. Leg bottom plate x 1
- 2. M10*65 Hexagon socket screws x 2
- 3. 6MM Screwdriver x 1



STEP 3

1. Foot pads

x 4



STEP 4

1. Table top

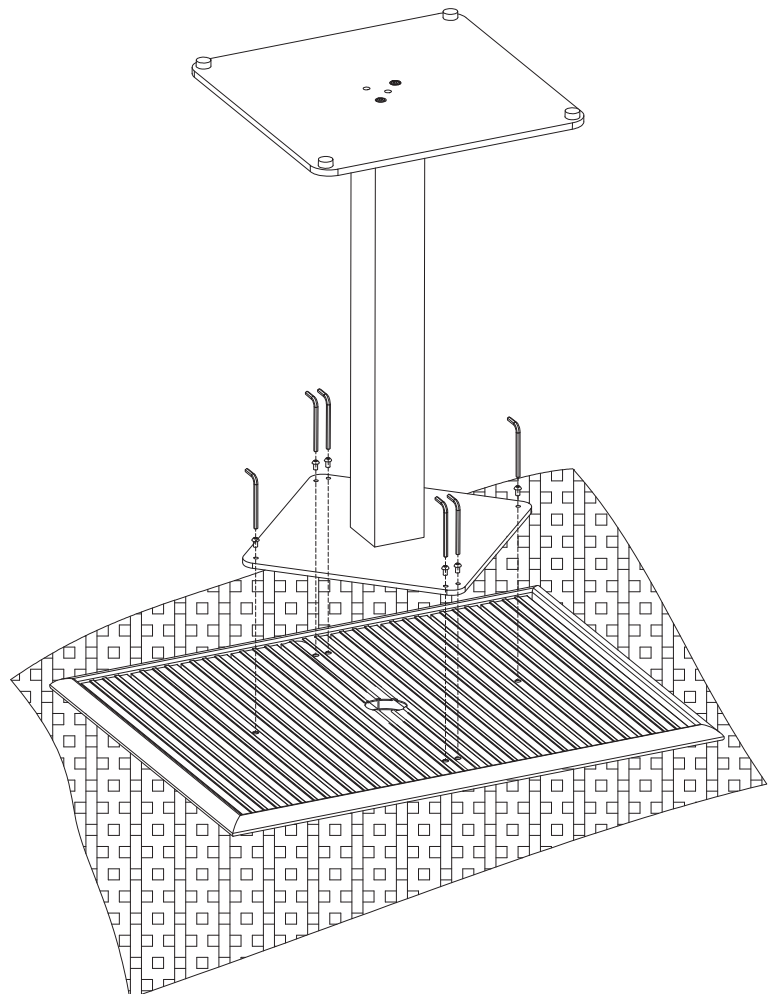
x 1

2. M6*20 Hexagon socket head screws

x 6

3. 4MM Screwdriver

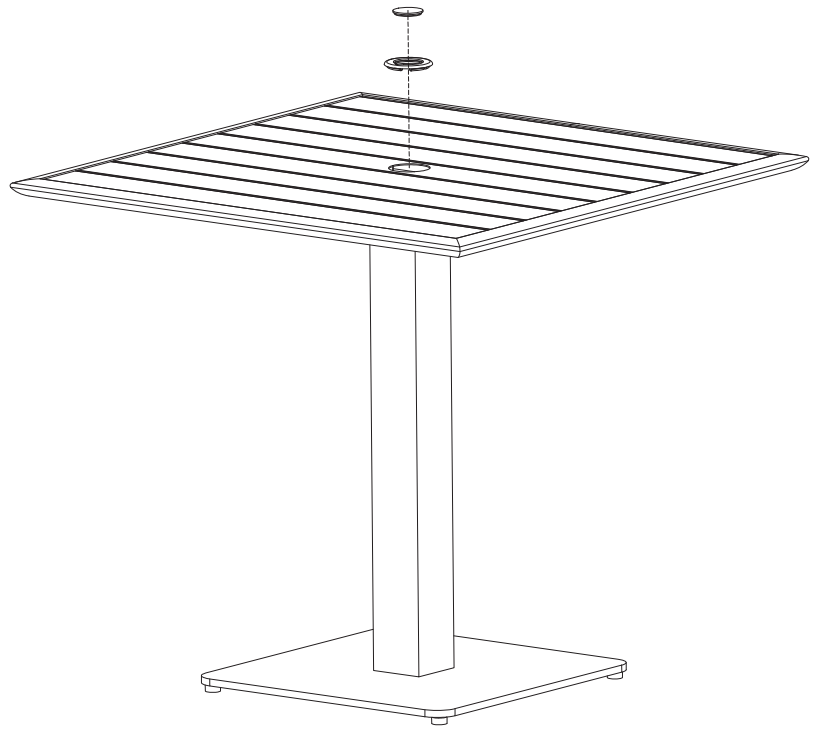
x 1



STEP 5

- 1. Plastic ring x1
- 2. Plastic ring cap x1

Adjust the food pads if the floor is not flat and or horizontal.



STEP 6

- 1. Setscrew x1

Take out the plastic ring cap when mounting umbrella. Then tighten the setscrew.

