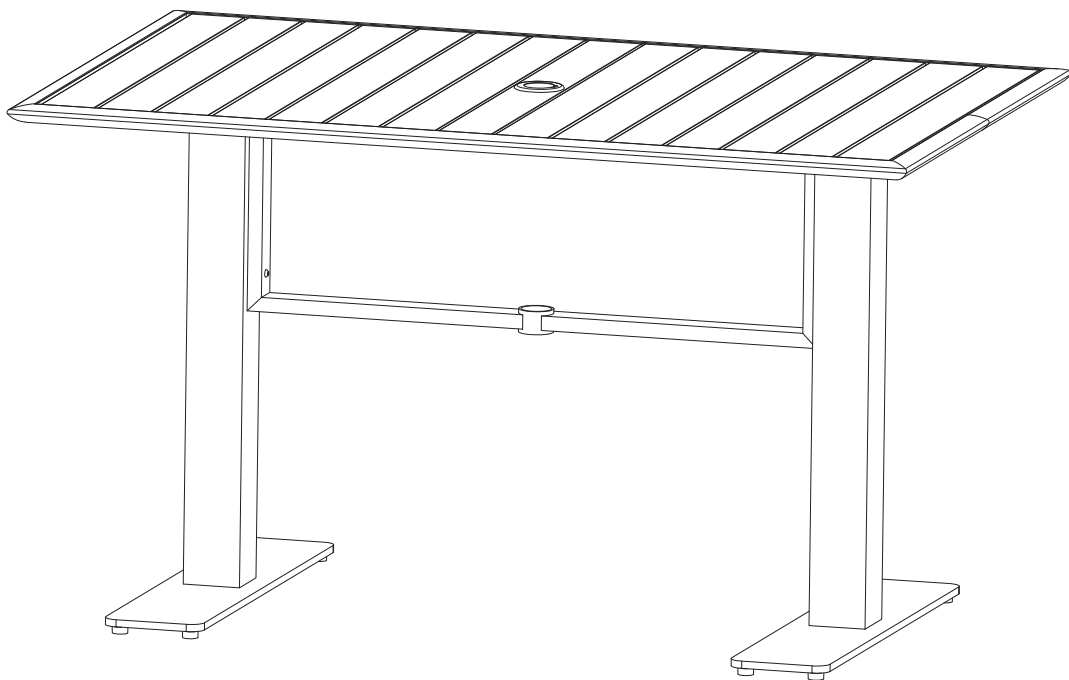


ASSEMBLY INSTRUCTION

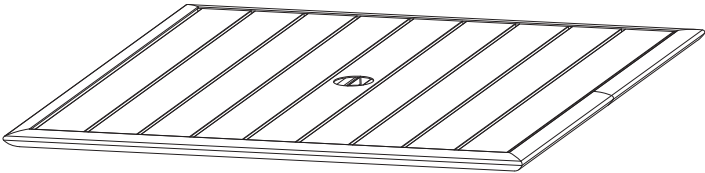
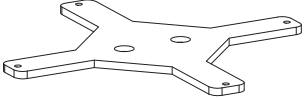

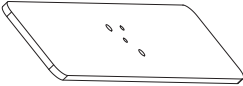
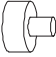
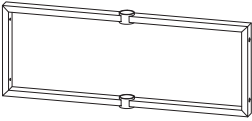


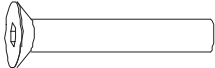

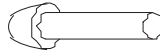


SOUTH BEACH TABLE 32x48 DVS3248NTSU



PARTS LIST

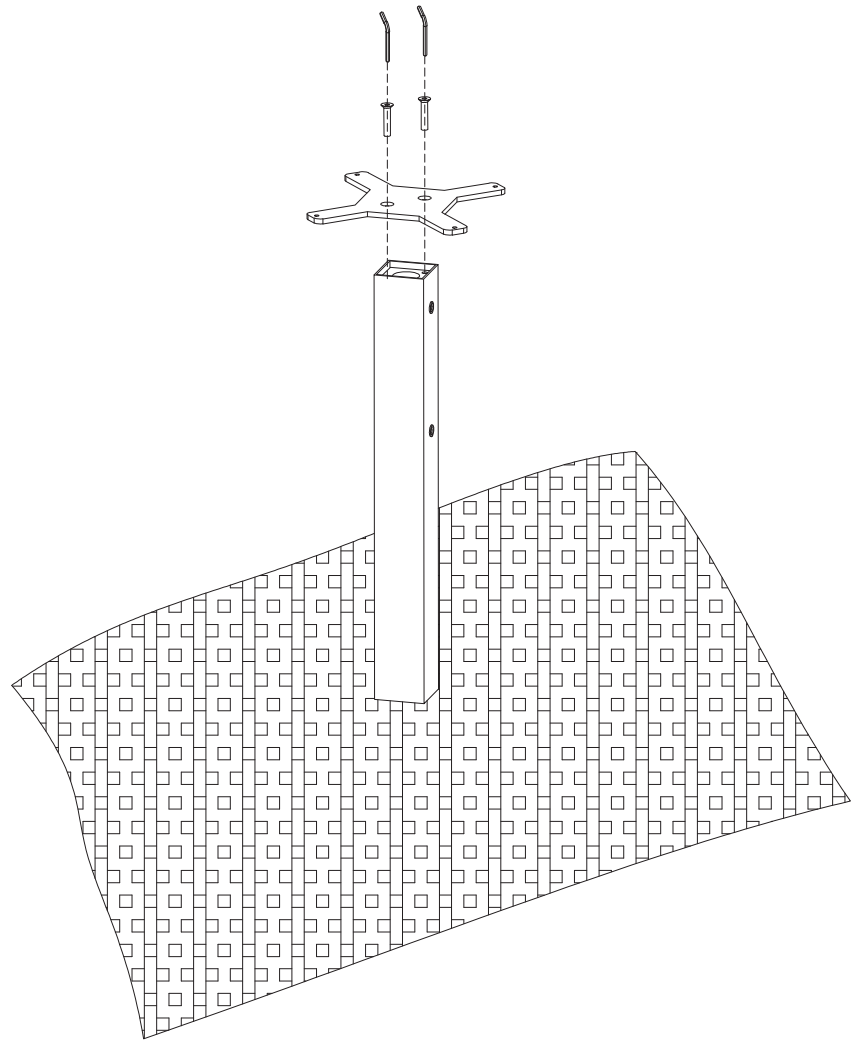
WARNING:

Please assemble table on something soft.

1. Table top		x 1
2. Leg top plate		x 2
3. Leg		x 2
4. Leg bottom plate		x 2
5. Foot pads		x 8
6. Cross beam		x 1
7. Plastic ring		x 1
8. Plastic ring cap		x 1
9. M10*30 Socket cap screws		x 8
10. M6*20 Hexagon socket head screws		x 8
11. M6*40 Hexagon socket head screws		x 4
12. 6MM Hex wrench		x 1
13. 4MM Hex wrench		x 1

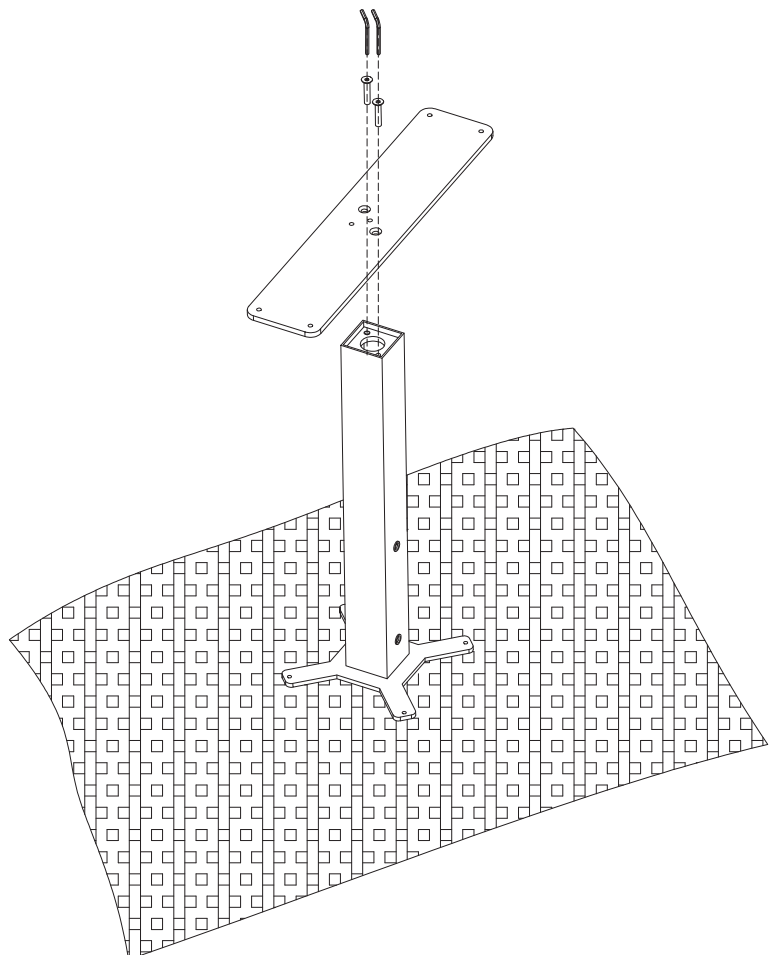
STEP 1

- 1. Leg top plate x 1
- 2. Leg x 1
- 3. M10*30 Socket cap screws x 2
- 4. 6MM Screwdriver x 1



STEP 2

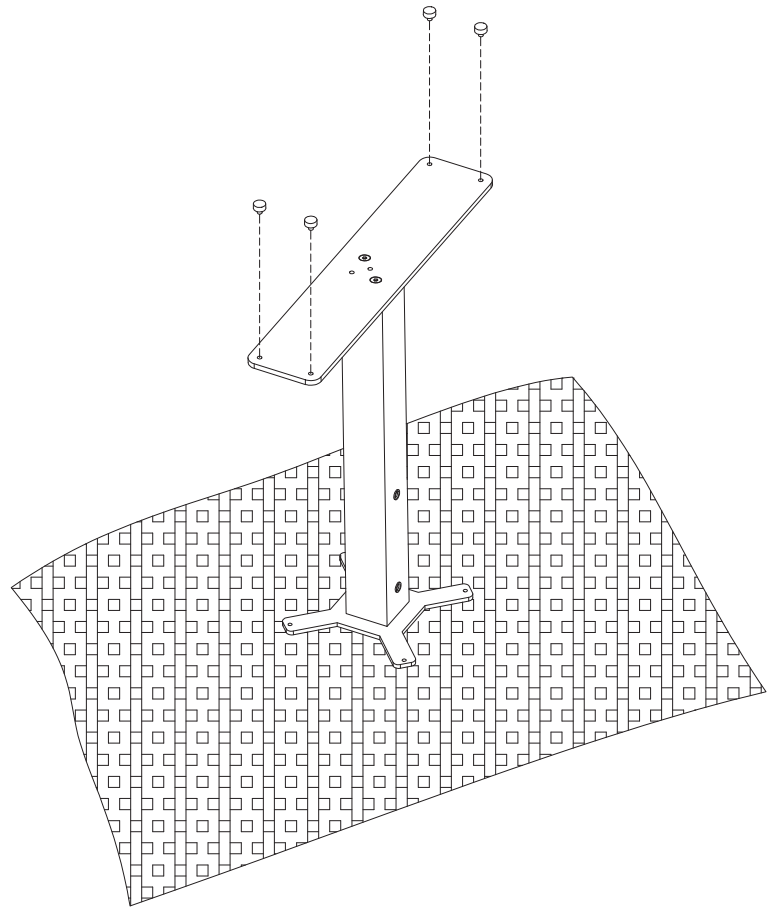
- 1. Leg bottom plate x 1
- 2. M10*30 Hexagon socket screws x 2
- 3. 6MM Screwdriver x 1



STEP 3

1. Foot pads

x 4



STEP 4

1. Cross beam

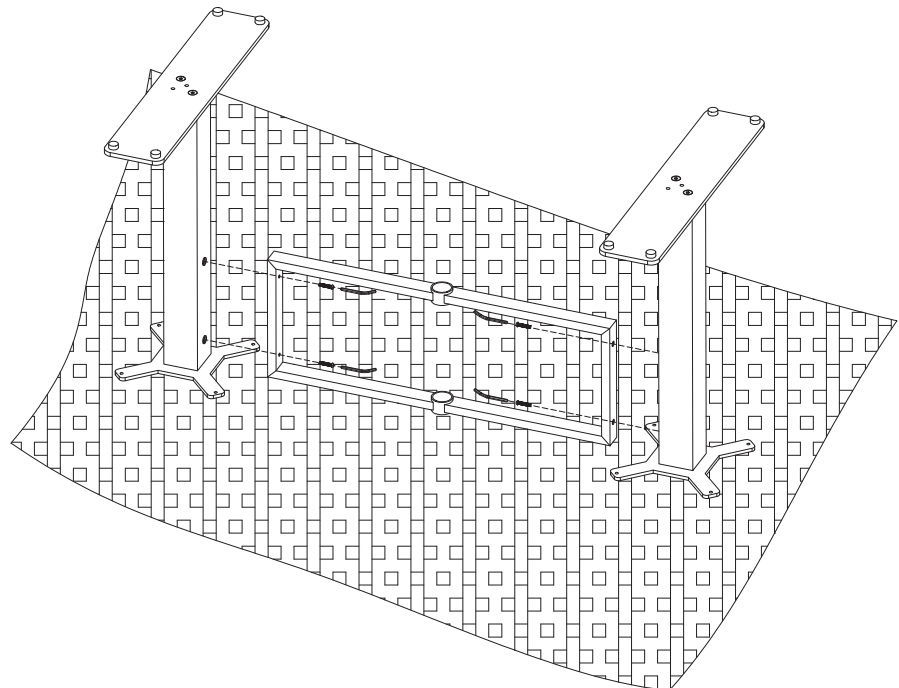
x 1

2. M6*40 Hexagon socket head screws

x 4

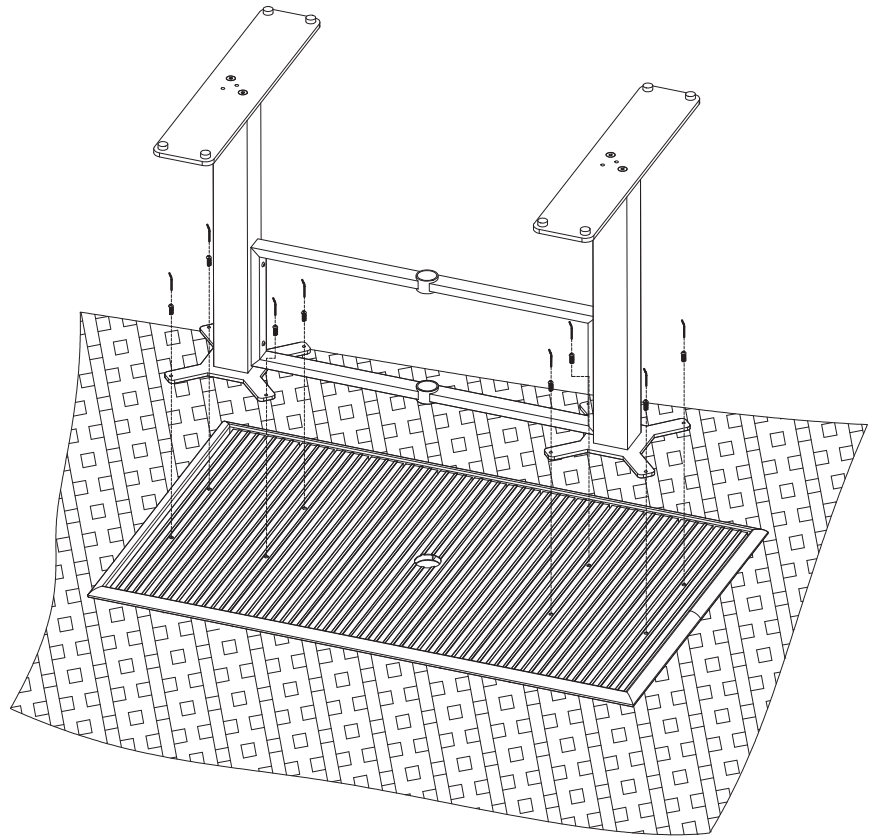
3. 4MM Screwdriver

x 1



STEP 5

- 1. Table top x1
- 2. M6*20 Hexagon socket head screws x8



STEP 6

- 1. Plastic ring x1
- 1. Plastic ring cap x1

Adjust the food pads if the floor is not flat and or horizontal.

Take out the plastic ring cap when mounting umbrella. Then tighten the setscrew.

