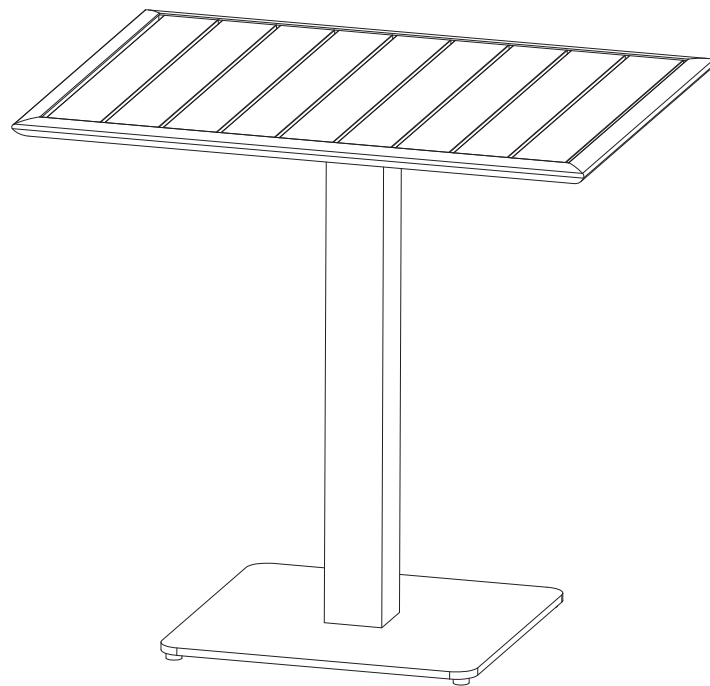


ASSEMBLY INSTRUCTION

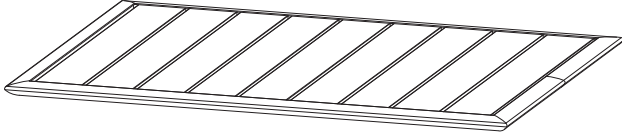
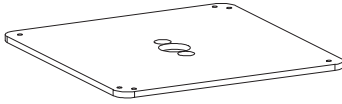
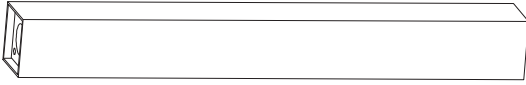
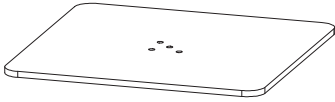
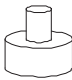
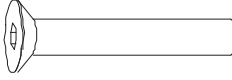
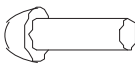
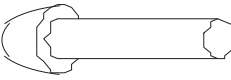


SOUTH BEACH TABLE 24x32 DVS2432TS



PARTS LIST

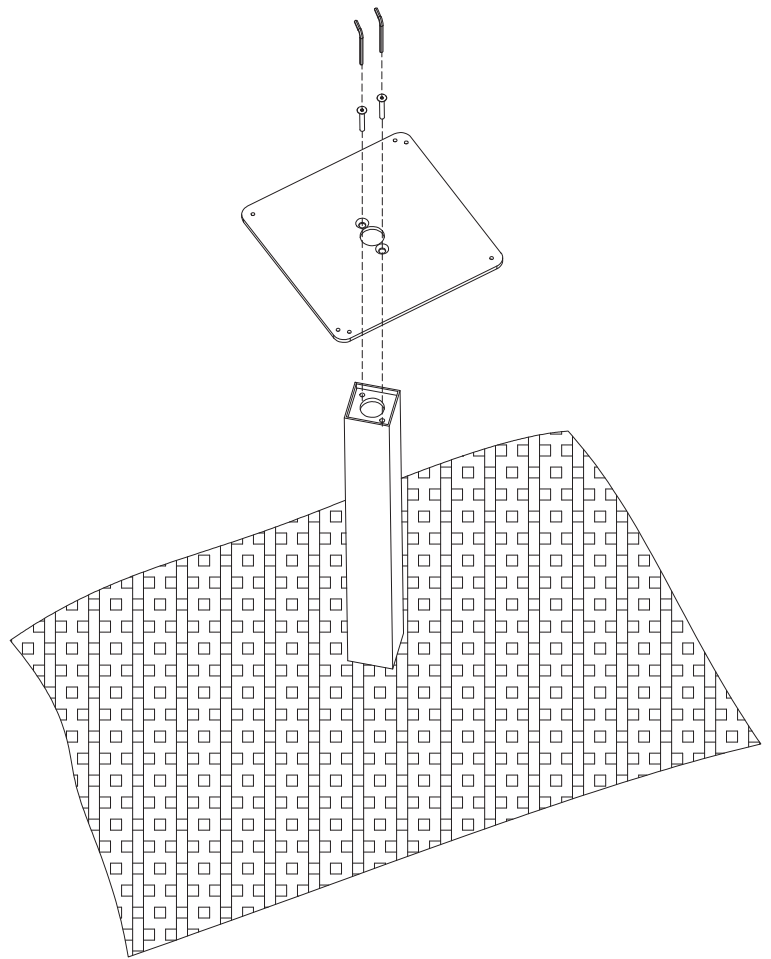
WARNING:

Please assemble table on something soft.

- | | | |
|--------------------------------------|---|-----|
| 1. Table top |  | x 1 |
| 2. Leg top plate |  | x 1 |
| 3. Leg |  | x 1 |
| 4. Leg bottom plate |  | x 1 |
| 5. Foot pads |  | x 4 |
| 6. M10*30 Socket cap screws |  | x 2 |
| 7. M6*20 Hexagon socket head screws |  | x 6 |
| 8. M10*30 Hexagon socket head screws |  | x 2 |
| 9. 6MM Hex wrench |  | x 1 |
| 10. 4MM Hex wrench |  | x 1 |

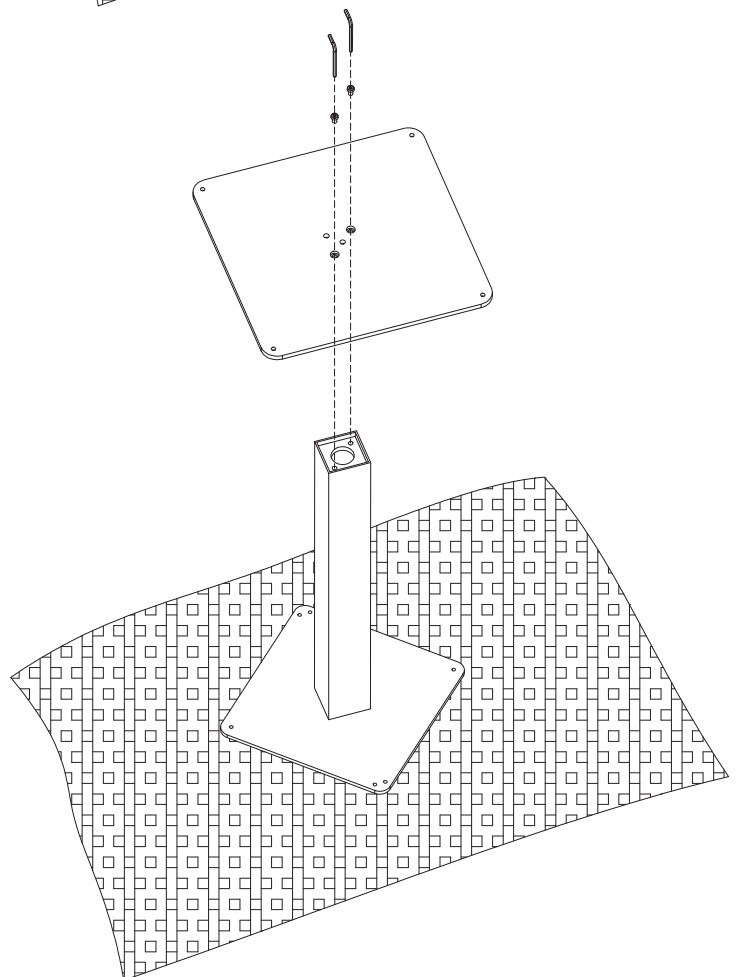
STEP 1

- 1. Leg top plate x 1
- 2. Leg x 1
- 3. M10*30 Socket cap screws x 2
- 4. 6MM Screwdriver x 1



STEP 2

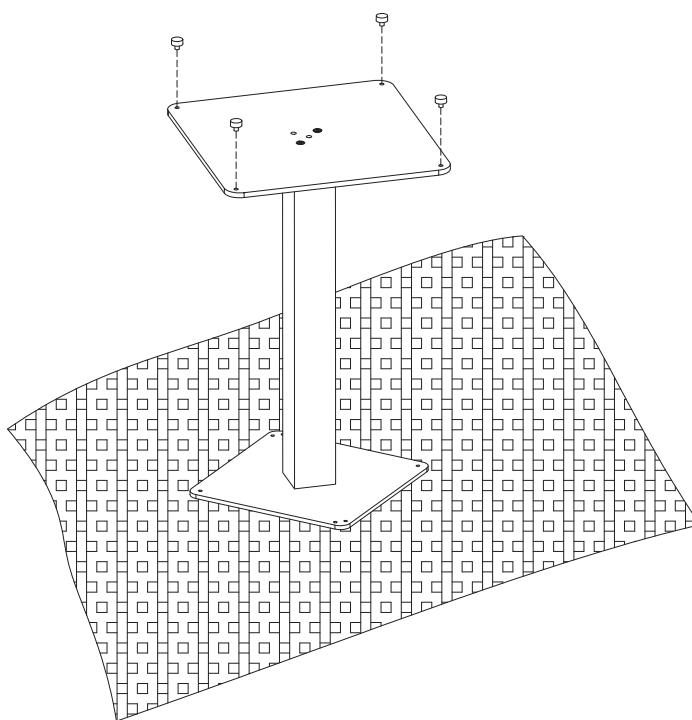
- 1. Leg bottom plate x 1
- 2. M10*30 Hexagon socket screws x 2
- 3. 6MM Screwdriver x 1



STEP 3

1. Foot pads

x 4



STEP 4

1. Top

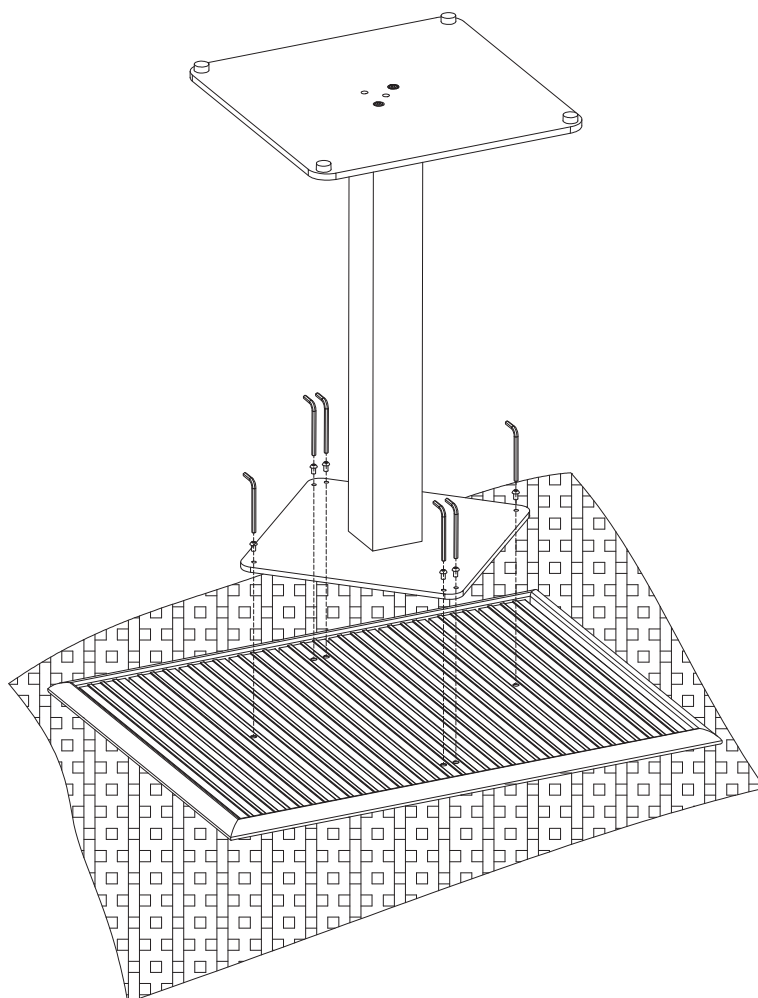
x 1

2. M6*20 Hexagon socket head screws

x 6

3. 4MM Screwdriver

x 1



STEP 5

Adjust the food pads if the floor is not flat and or horizontal.

